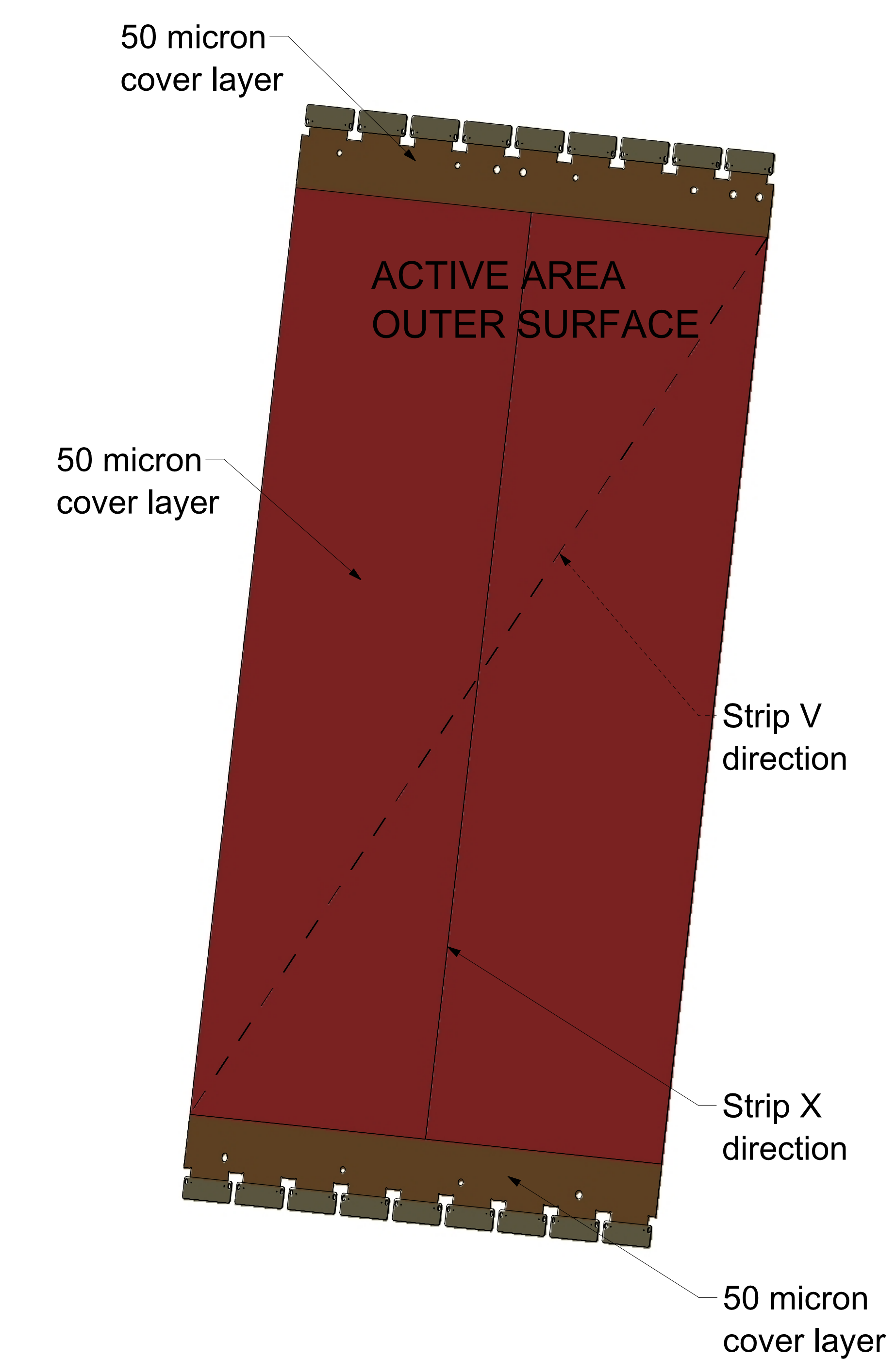
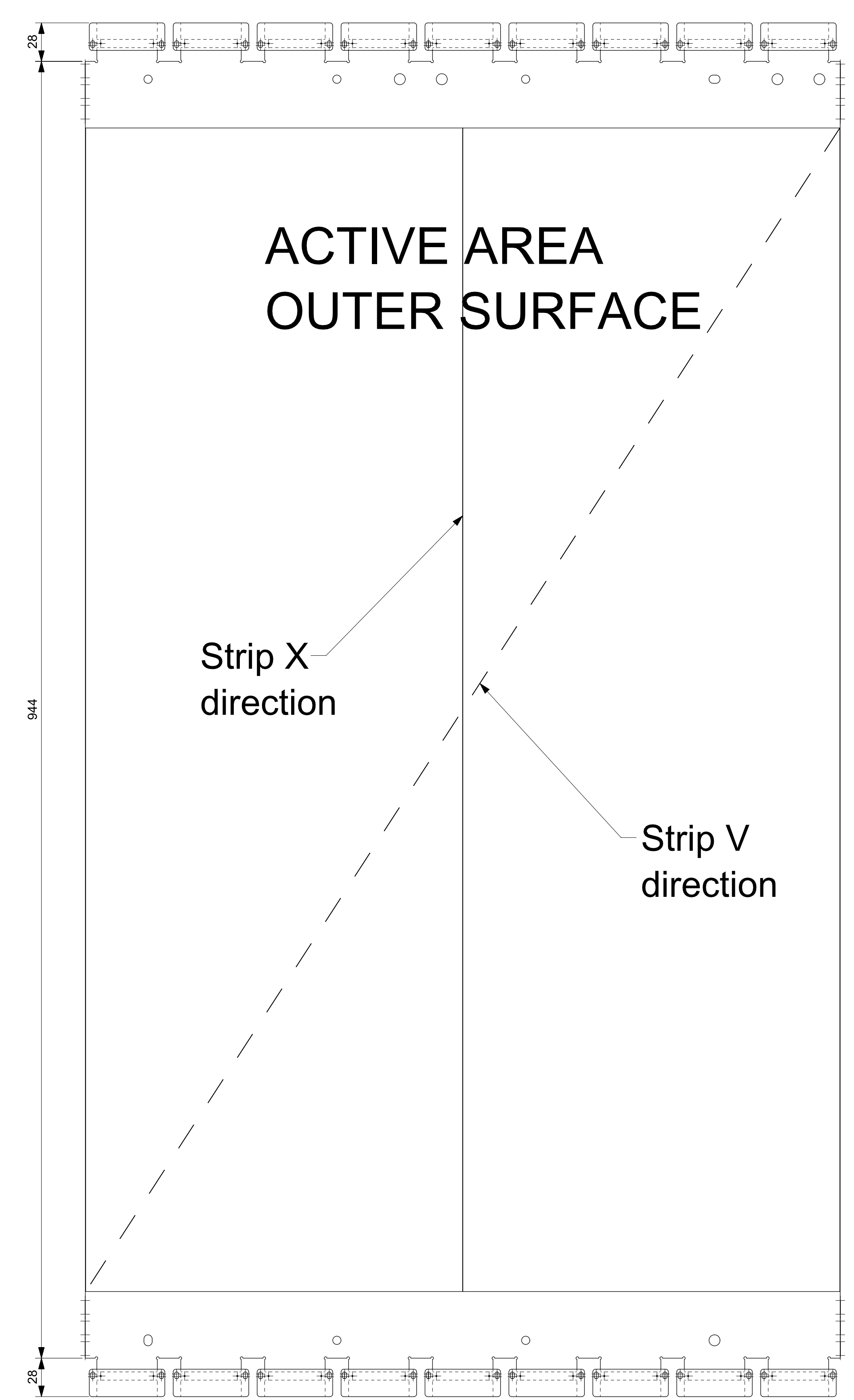
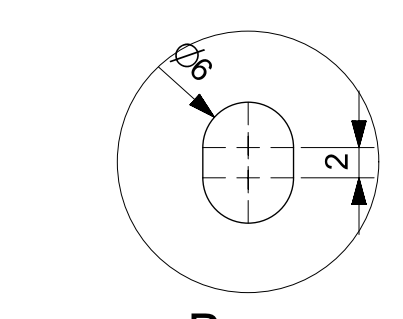
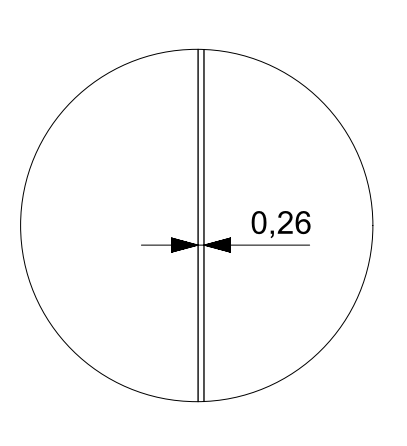
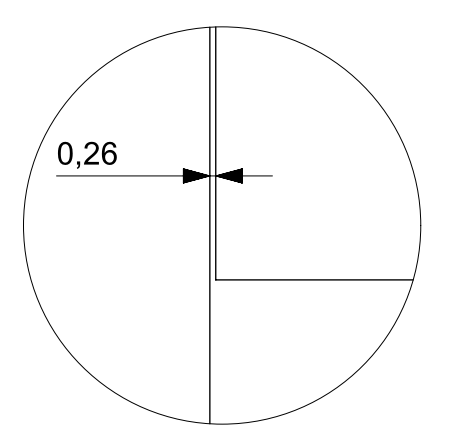
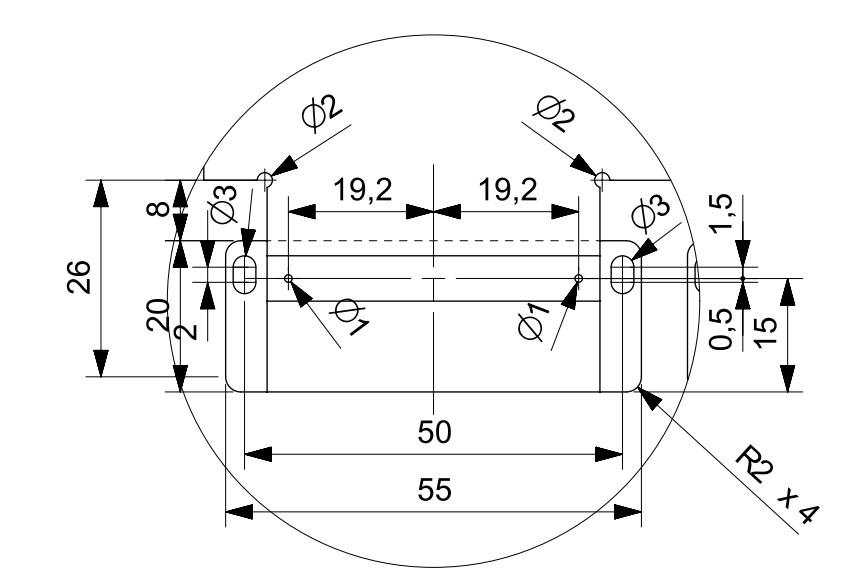


GAS "IN"



GAS "OUT"



GAS "OUT"

PART N.	DRAWING	MATERIAL	Anode_L3		2
Gen. Tol. for undimensioned dimension: ISO 2768-mk-E			Geometrical tolerance: ISO 8015 - E		Q.TY
 Istituto Nazionale di Fisica Nucleare Sezione di Ferrara		Designer: M. Melchiorri Approver: M. Melchiorri	Roughness: ISO 1302 on Pads: Technical Specification Brevi C° - Strada 122 Via Serraglio 1 - 41121 Ferrara Tel. 0532743400 e-mail: anodi@inf.na.infn.it		Date: 15/05/2015 Rev. of Draw: 1 File name: Anode_Layer_3